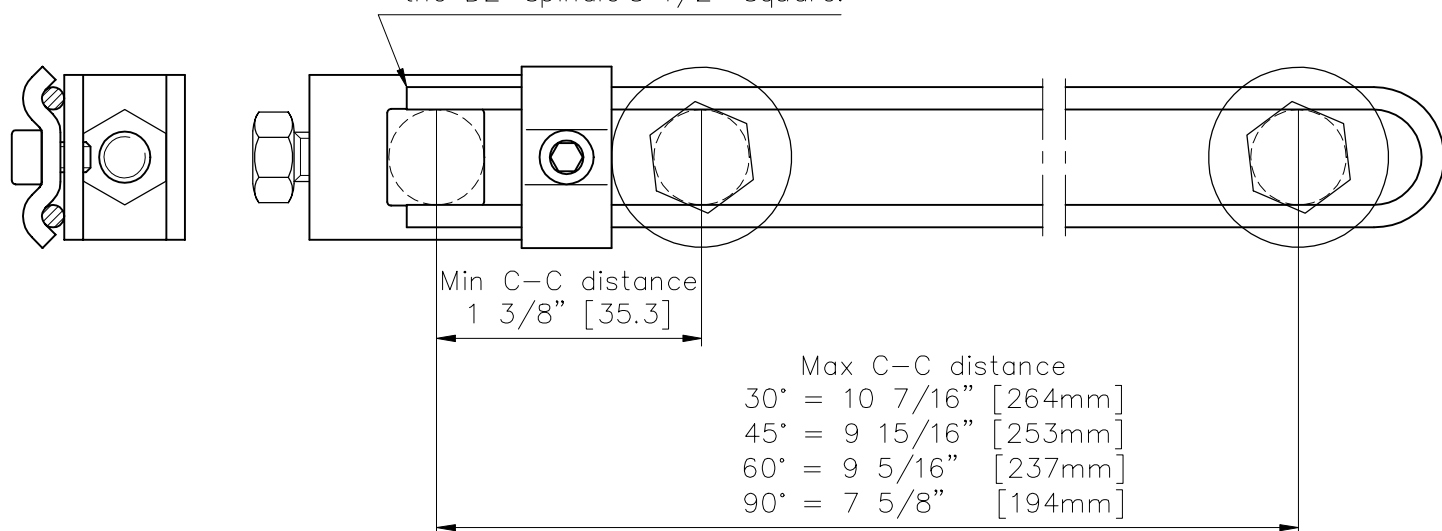


Cut off excessive material.  
Leave enough for overlapping  
the D2-spindle's 1/2" square.



Max stroke/cam		Min stroke/cam.	
30°	max=5 9/16" [141mm]	30°	min=3/4" [19mm]
45°	max=8 1/4" [209mm]	45°	min=1 5/32" [30mm]
60°	max=10 25/32" [273mm]	60°	min=1 19/32" [41mm]
90°	max=15 1/4" [387mm]	90°	min=2 25/32" [71mm]

Designed: 01 10 15 Designer: Lennart Nord Drawing scale: 1:1 Format: A4 Sheet: 1/1

Tracking no: 10155 Rev. no: R0 Product no: M100 Title, Name or Description: Knife Gate Kit 15" D2 Rev.date: ( ymd ) 01 10 15

This drawing is the property of BLX Sweden AB, protected in accordance with prevailing law.

