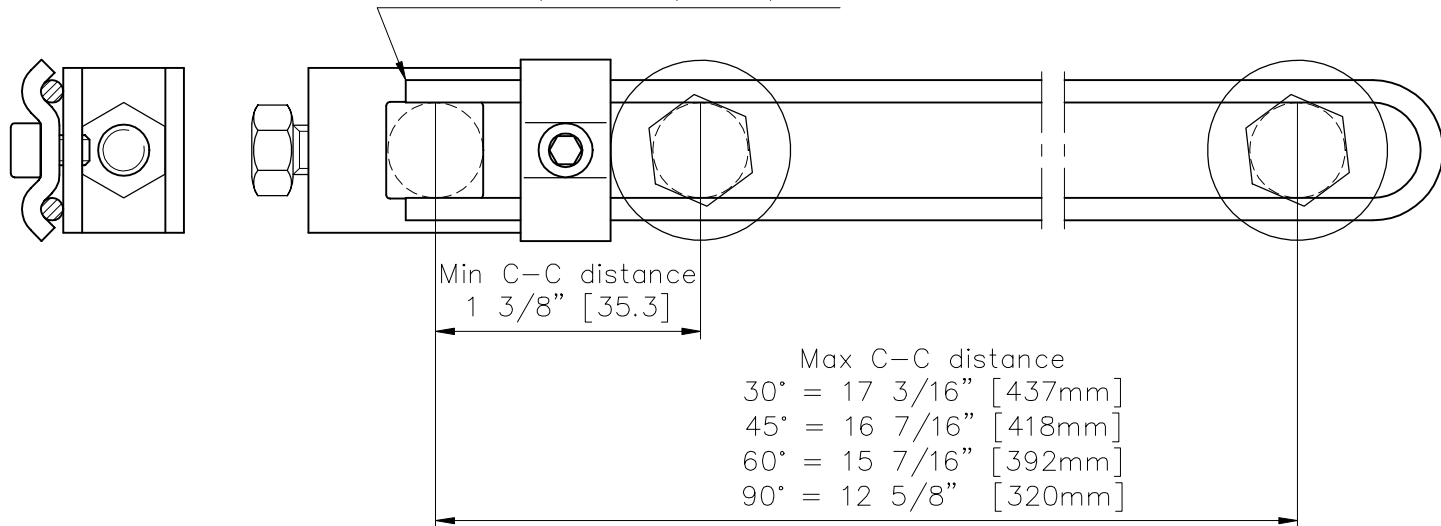


Cut off excessive material.  
Leave enough for overlapping  
the D2-spindle's 1/2" square.



Max stroke/cam		Min stroke/cam.	
30°	max=9 1/4" [234mm]	30°	min=3/4" [19mm]
45°	max=13 5/8" [346mm]	45°	min=1 5/32" [30mm]
60°	max=17 13/16" [452mm]	60°	min=1 19/32" [41mm]
90°	max=25 3/16" [640mm]	90°	min=2 25/32" [71mm]

Designed: 01 10 23	Designer: Lennart Nord	Drawing scale: 1:1	Format: A4	Sheet: 1/1
Tracking no: 10156	Rev. no: R0	Product no: M100	Title, Name or Description: Knife Gate Kit 25" D2	Rev.date: ( ymd ) 01 10 23

