



VAC Digital Positioner

Features and Benefits:

- Microprocessor based valve positioner.
- Menu driven LCD display-multilingual + LEDs.
- Push buttons for easy, local configuration.
- Time saving auto start up-two steps and ready for operation.
- Spool valve design-simple, rugged and allows one unit for both single or double acting.
- NEMA 4X IP 65 Enclosure
- Linear or Rotary mounting

Communications include:

- Hart Protocol, with only 420 ohms load
- Foundation Fieldbus H1 and Profibus PA according to IEC 1158-2 based on Fisco

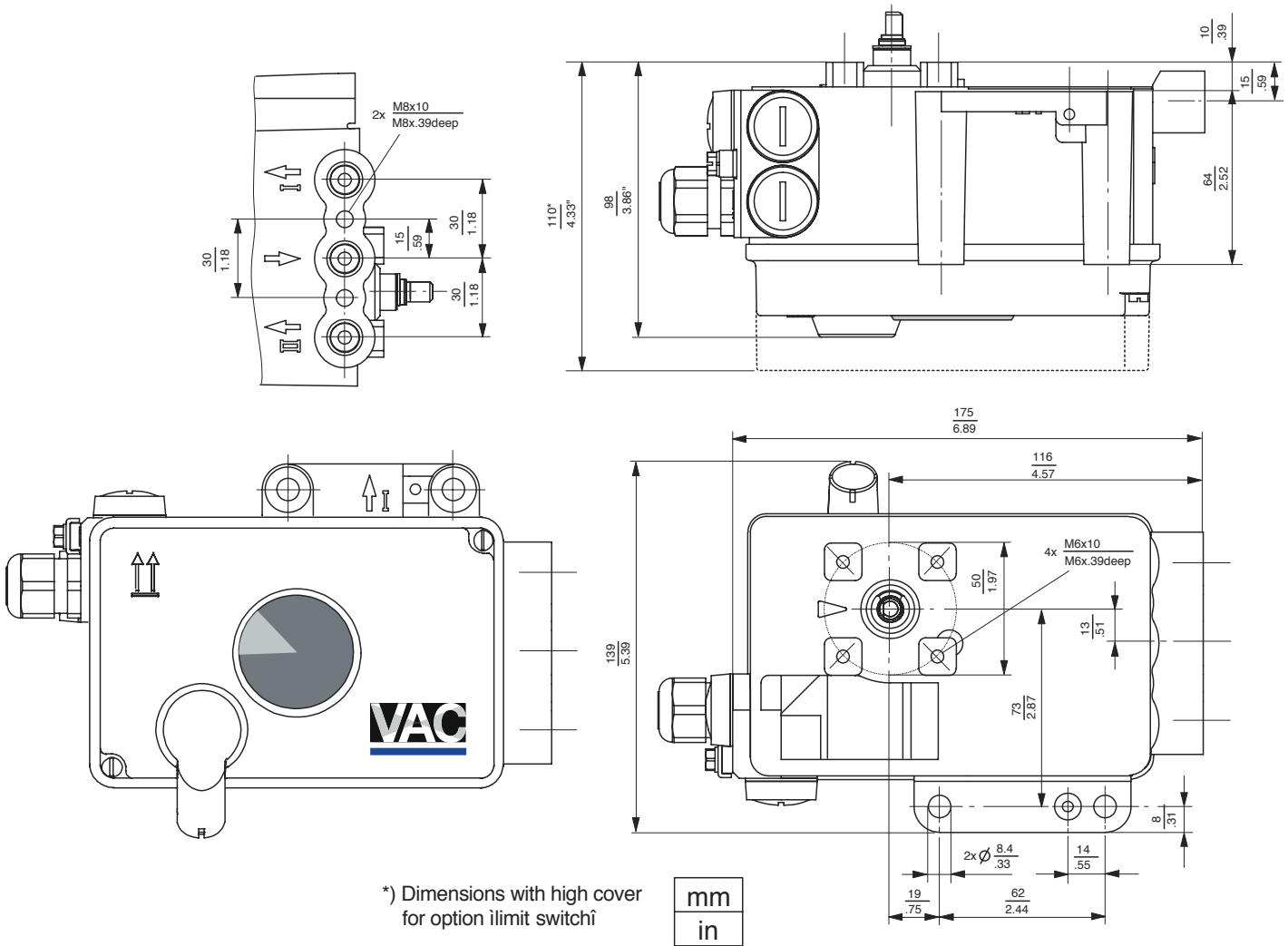


Ordering Codes:

D300 Digital	Connections	Spindle	Indicator	Communications	Feedback	Add'l Options
	N-NPT	D1 Namur	F-Flag	No-none*	S-2 switches	SD-sensors/
	G-Metric	DX Linear		H-Hart	4/20-transmitter	diagnostics
D300 Digital EX (Explosion Proof)				FF-Foundation Fieldbus PA-Profibus		

Example: D300-N-D1-F-H

* Not available on EX version



Rotation	Up to 95 degrees	Stroke	0.3 to 10.2" (8 to 260 mm)
Air supply	Up to 105 PSIG (7 bar)	Cable Entry	2 M20x1.5 (1/2" Adapter)
Connections	1/4" NPT or G		

Air Delivery@ 90 PSI(6 bar)=5.8 scfm (166 nl/min)
 Air Consumption@ 90 PSI(6 bar)=0.18 scfm (5 nl/min)
 Supply air dependence <0.1% 15 psi (1 bar)

Sensitivity	<0.1% of travel span	Non-linearity	<0.4% of travel span
Hysteresis	<0.3% of travel span		
Temperature effect	<0.3%/10K		
Temperature range	Operation -40 to 176 deg F(-40 to 80 C)		
	LCD -13 to 158 deg F(-25 to -70 C)		
	Note: Below -13 LCD reacts slowly, above 158 LCD background becomes dark.		

EMC En 61326, IEC 61326, En 61000-6-2

Housing Cast aluminum no 230, with DD Varnish finish.

Weight Approx. 4 Lbs (1.8 kg)



VALVE ACCESSORIES & CONTROLS, INC.
 12585 Old Highway 280 East • Suite 101
 Chelsea, AL 35043
 TEL: 205-678-0507 • FAX: 205-678-0510
 vacaccessories.com



Valve Accessories & Controls LTD.
 Solent Business Centre
 Millbrook Road West
 Southampton • SO15 OHW
 TEL: (44) 23 8073 9000 • FAX: (44) 23 8073 9007
 vacnigelc@aol.com