

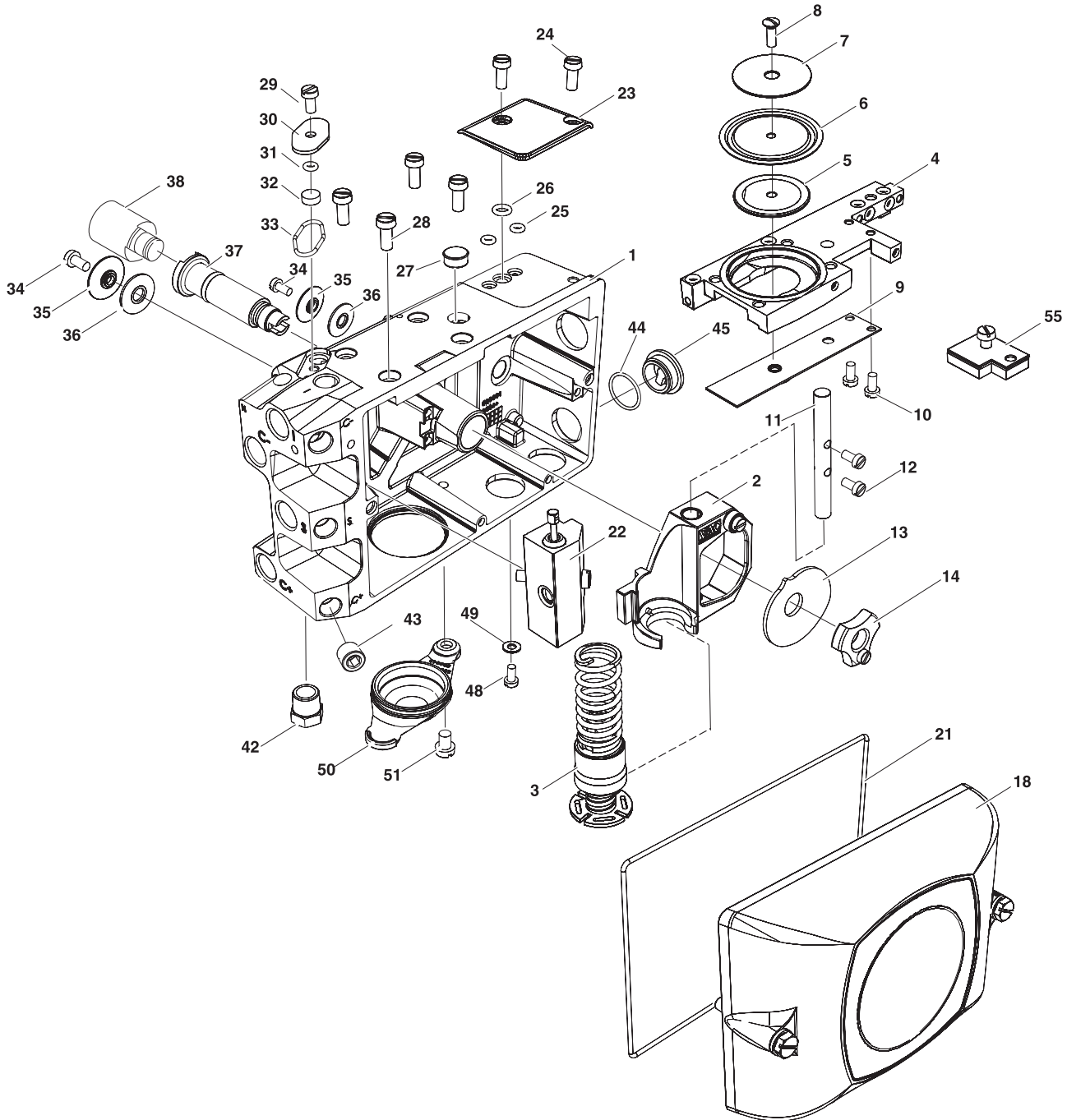


# V200 POSITIONER

[www.vacaccessories.com](http://www.vacaccessories.com)

## SPARE PARTS

Exploded drawing V200 PEHT





# V200 POSITIONER

www.vacaccessories.com

## Spare parts list V200 PEHT

Item	Description	Material	Part no	Qty	Item	Description	Material	Part no	Qty
1	Housing	Aluminum, Nickel plated	n/a	1	34	Screw ISO 1207 M4x8	Stainless Steel	1207040808	2
	- Bearing 15x8		171508	2	35	Relief Valve Washer	Aluminum, Anodized	90034	2
2	Feedback Arm Assembled		91002N	1	36	Rubber Washer	Silicone Rubber	90035	2
	- Feedback Arm	Aluminum, Nickel plated	90006N	1	37	Drive Shaft	Stainless Steel	90029	1
	- Pin ISO 8752 2,5x8	Stainless Steel	87412508	1		- O-ring Ø12x2 Q	Silicone Rubber	OR12x2Q	1
	- Ball Bearing	Stainless Steel	100404	1		- O-ring Ø15x2 Q	Silicone Rubber	OR15x2Q	1
	- Screw ISO1207 M4x12	Stainless Steel	1207040812	1	38	Spindle*	Stainless Steel	90092	1
	- Bearing 8x8		100808	1		- Circlip spindle	Stainless Steel	90093	1
3	Feedback Spring Assembled		91018	1	42	Bug Screen / Silencer	Plated Brass	400148	1
	- Spring Nut	Aluminum, Anodized	90012	1	43	Plug 1/8" DIN906	Stainless Steel	90618	4
	- Wrist Pin	Stainless Steel	90013	1	44	O-ring Ø 18,1x1,6 Q	Silicone Rubber	OR18,1x1,6Q	4
	- Range Screw	Aluminum, Anodized	90014	1	45	Plug NPT1/2" / M20	Brass, Nickel plated	52103120	4
	- Range Nut	Aluminum, Anodized	90015	1	46	Screw ISO 1207 M4x8	Stainless Steel	1207040808	1
	- Span Wheel	Stainless Steel	90016	1	47	Washer ISO 7089-4	Stainless Steel	70894	1
	- Zero Wheel	Aluminum, Anodized	90017	1	48	Screw ISO 1207 M4x8	Stainless Steel	1207040808	1
	- Feedback Spring	Stainless Steel	90018	1	49	Washer ISO 7089-4	Stainless Steel	70894	1
	- Screw ISO 1207 M4x50	Stainless steel	1207045050	1	50	Zero Plug	Silicone Rubber	90037Q	1
	- O-ring Ø15x1 Q	Silicone Rubber	OR15x1Q	1	51	Screw ISO 1207 M6x8	Stainless Steel	1207060808	1
	- Retaining Ring AV12	Steel	91050041	1	55	Stability Kit**		93027	1
	- Washer DIN 6904-6,4	Steel	6904064	1		- Stability Plate Upper	Aluminum, Anodized	90039	1
	- Washer DIN 7089-4	Stainless Steel	70894	1		- Stability Plate Lower	Aluminum, Anodized	90040	1
4	Membrane Plate PEHT	Aluminum, Anodized	91022	1		- Screw ISO 1207 M5x12	Stainless Steel	1207051212	1
	- O-ring Ø3x2 Q	Silicone Rubber	OR3x2Q	4					
5	Membrane piston	Aluminum, Anodized	90010	1					
6	Membrane	Silicone Rubber	90022QN	1					
7	Membrane Washer	Stainless Steel	90009	1					
8	Screw ISO 2010 M4x12	Stainless Steel	2010041212	1					
9	Balance Arm	Stainless Steel	91003	1					
10	Screw ISO 1207 M4x8	Stainless Steel	1207040808	2					
11	Guide Pin	Stainless Steel	90024	1					
12	Screw ISO 1207 M4x14	Stainless Steel	1207041414	2					
13	Cam*	Stainless Steel	92031	1					
14	Cam Nut	Aluminum, Anodized	90030	1					
	- Screw ISO 1207 M4x8	Stainless Steel	1207040808	1					
18	Front Cover Assembled PEHT		91022	1					
	- Front Cover	Aluminum, Nickel plated	90124	1					
	- Screw ISO 4017 M6x40-10	Stainless Steel	4017064010	2					
	- Washer ISO 7089-6	Stainless Steel	708906	2					
	- O-ring Ø5,1x1,6 Q	Silicone Rubber	OR5,1x1,6Q	2					
21	O-ring Ø160x2 Q	Silicone Rubber	OR160x2Q	1					
22	Pilot Valve Std		91010	1					
	- Pilot Valve HG		91008	1					
	- Pilot Valve SHG		91009	1					
	- O-ring Ø8x1,5 Q	Silicone Rubber	OR8x1,5Q	5					
	- Screw ISO 1207 M5x30-10	Stainless Steel	1207053010	1					
23	Cover plate	Aluminum, Nickel plated	90080N	1					
24	Screw ISO 1207 M5x12	Stainless Steel	1207051412	1					
	- Mylar Washer	Plastic <PA>	90048	1					
25	O-ring Ø3x2 Q	Silicone Rubber	OR3x2Q	2					
26	O-ring Ø5x2 Q	Silicone Rubber	OR5x2Q	1					
27	Rubber plug	Silicone Rubber	90036Q	1					
28	Screw ISO 1207 M5x14	Stainless Steel	1207051414	5					
	- Mylar Washer	Plastic <PA>	90048	5					
29	Screw ISO 1207 M4x8-4	Stainless Steel	1207040804	1					
30	Filter Cover	Stainless Steel	90032	1					
31	O-ring Ø 3,1x1,6 Q	Silicone Rubber	OR3,1x1,6Q	1					
32	Washer Ø8x1 Q	Silicone Rubber	90122	1					
33	O-ring Ø18,1x1,6 Q	Silicone Rubber	OR18,1x1,6Q	1					

\*Cam with other ranges, front labels with other scale readings and spindles suitable for the most frequently used actuator types, are available.

\*\* Certain valve/actuator packages may need additional field stability, which can be accomplished with the stability kit (100% to 300%- depending on orientation of the kit).